

Perimeter Security Products

Raptor Barrier Assembly Instructions

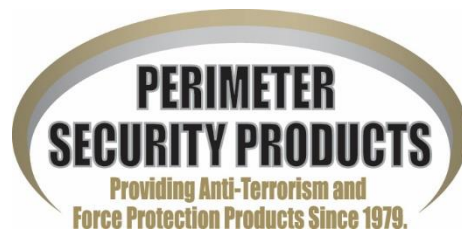


SPIRIT OF AMERICA CORPORATION

Trade Name – Perimeter Security Products

260-432-7158 Phone
260-459-0929 Fax
800-860-2855 Toll-free

www.perimetersecurityproducts.com



Perimeter Security Products

Contents

Components.....	3
Layout.....	4
Assembly.....	4
Optional Chain Kit.....	7
Optional Wheel Kit.....	8
Optional Reflective Tape Kit.....	9
Additional Comments.....	10
Replacement and Accessory Parts.....	10

Note: Read the entire set of instructions prior to beginning the assembly of the Raptor Barrier.

Perimeter Security Products

Components

1. 6 – Raptor Plates
 - a. Note: For orders with multiple Raptors, there will be 24 of the plates packaged on each skid. Therefore, each skid of plates will have enough plates for 4 Raptors
2. 20 – Spacer Tubes
 - a. The Spacer Tubes will be bulk packaged in box. Each box will have 40 of the Spacer Tubes (enough for 2 Raptors)
3. 4 – 5/8-11 UNC x 1 Bolts
 - a. These will be packaged in the box with the Spacer Tubes.
4. 4 – 5/8-11 UNC Nuts
 - a. These will be packaged in the box with the Spacer Tubes.
5. 8 – 5/8 Flat Washers
 - a. These will be packaged in the box with the Spacer Tubes.
6. 2 – Custom Wrenches with 2” and 15/16” (for 5/8 bolt) openings
 - a. Note, one wrench is packaged with each box of Spacer Tubes.
7. Chain Kit (Optional)
8. Wheel Kit (Optional)

Perimeter Security Products Layout

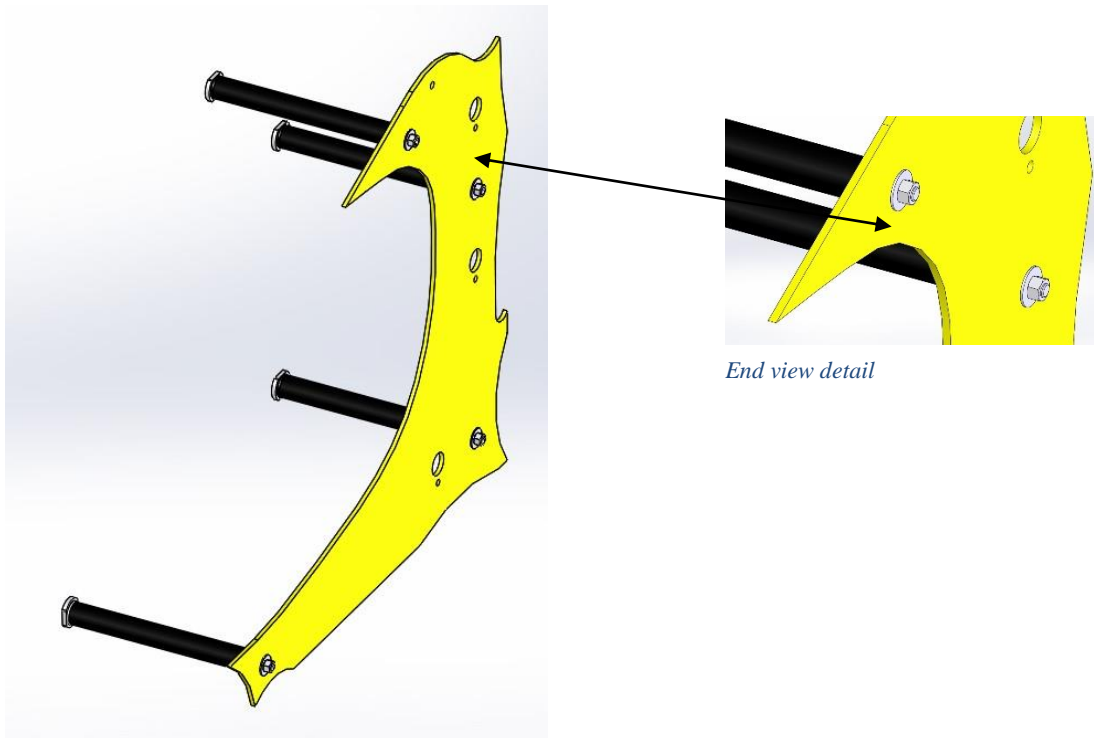
The Raptor Barrier is designed as a traffic barrier and may be used as a standalone barrier or in conjunction with other barriers. A single Raptor Barrier can be used to block a single lane on a roadway. Three Raptor Barriers can be joined using one of the chain kits to effectively block a 20-foot roadway.

Assembly

Assembly of the Raptor Barrier is straight forward, but can be made easier following these procedures.

If the means to move a 625# assembly is not available, start by locating the first plate in the desired location. The unit may be assembled and moved if you have the means to do so.

Stand one plate up and loosely bolt on four spacers using the four nuts with four of the washers. You can build right to left or left to right depending on which is more convenient, but it will greatly aid the assembly if you start as shown below. The spacers are to be positioned as shown.

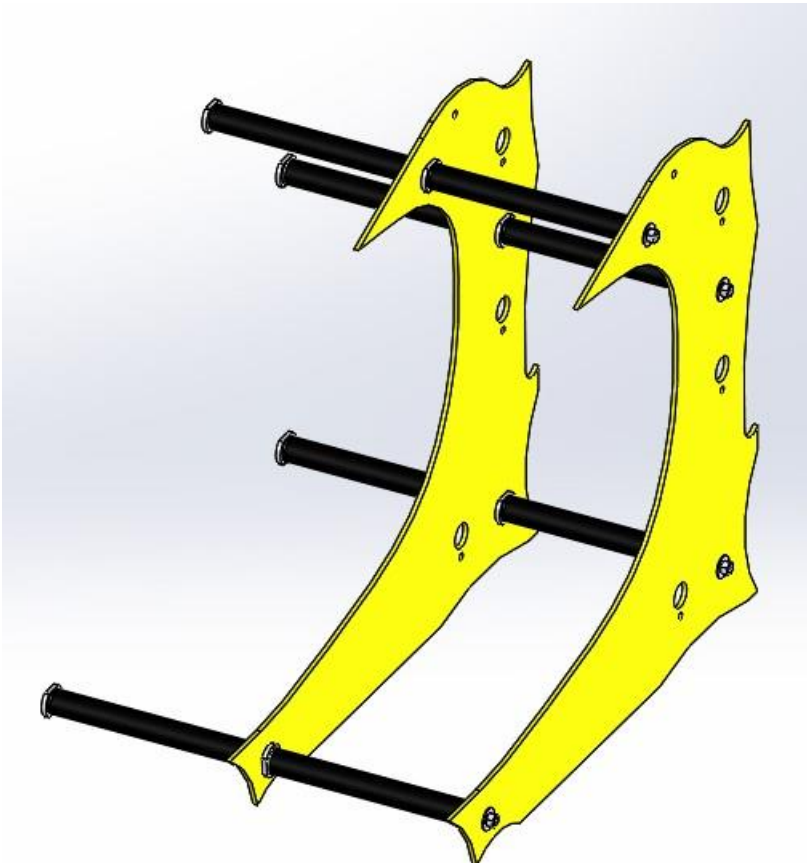


The bolts can be snug but do not tighten them with the wrench at this point. This allows a little play in the ends of the spacers when adding the next plate.

PROPRIETARY DATA THIS DOCUMENT AND THE INFORMATION DISCLOSED HEREIN ARE THE PROPERTY OF CREATIVE BUILDING PRODUCTS. NO PART OF THIS DOCUMENT IS TO BE REPRODUCED WITHOUT THE WRITTEN PERMISSION OF CREATIVE BUILDING PRODUCTS. NO INFORMATION DISCLOSED HEREIN IS TO BE TRANSMITTED TO ANOTHER OR USED FOR ANY PURPOSE OTHER THAN THAT FOR WHICH THIS DOCUMENT IS PROVIDED.

Perimeter Security Products

Add a second plate to the assembly by sitting the plate against the end of the spacer tubes. Attach the plate to the first set of spacer tube by slipping the threaded ends of each spacer tube into the appropriate holes in the plate and threading it into the first set of spacer tubes. Again, do not tighten these with a wrench yet.



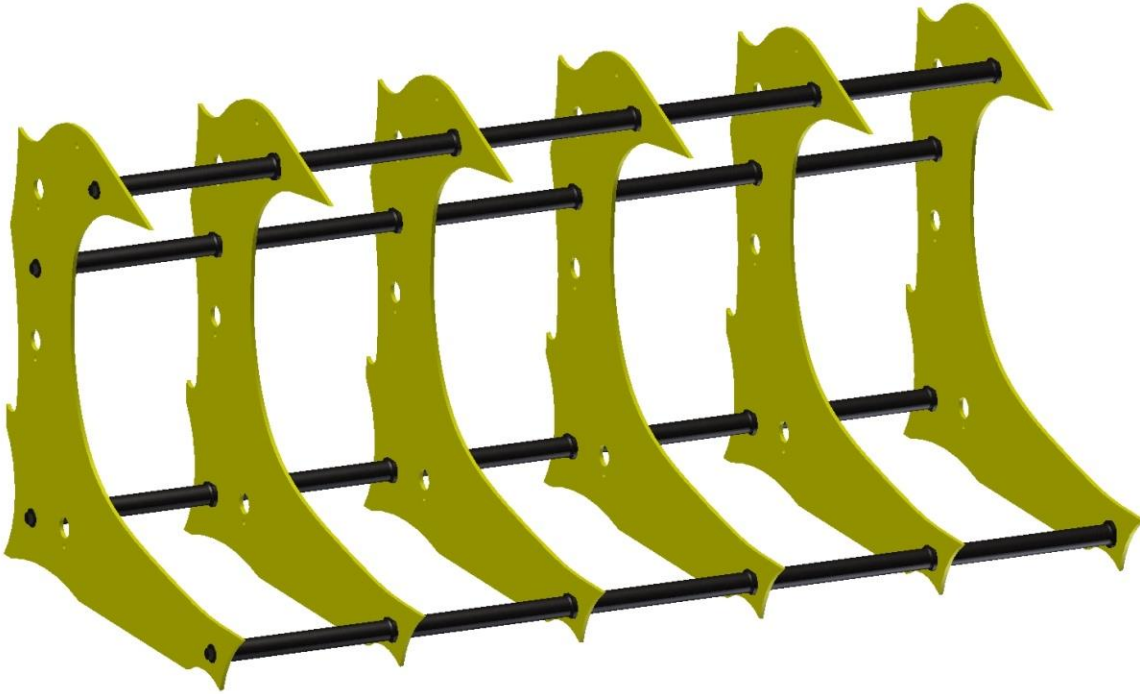
You may now go back and tighten the four nuts that affix the spacer tubes to the first plate using the wrenches. The supplied wrenches have a 15/16" hex opening at one end for the 5/8" nuts and bolts and a 2" opening at the other end that fit onto the flats at the ends of the spacer tubes.



Repeat this process for the next plate and next four spacers. This time, tighten the second set of spacers to the first set of spacers pulling everything tight onto the second plate.

Perimeter Security Products

Continue with this process until the sixth plate is added. The final plate is secured by adding a washer and nut to each of the protruding spacer threads. Again, don't tighten the nut to the sixth plate until the spacer is first tightened to the fifth plate. Once the four bolts are tightened that hold the last plate, the Raptor Barrier should be a solid unit.

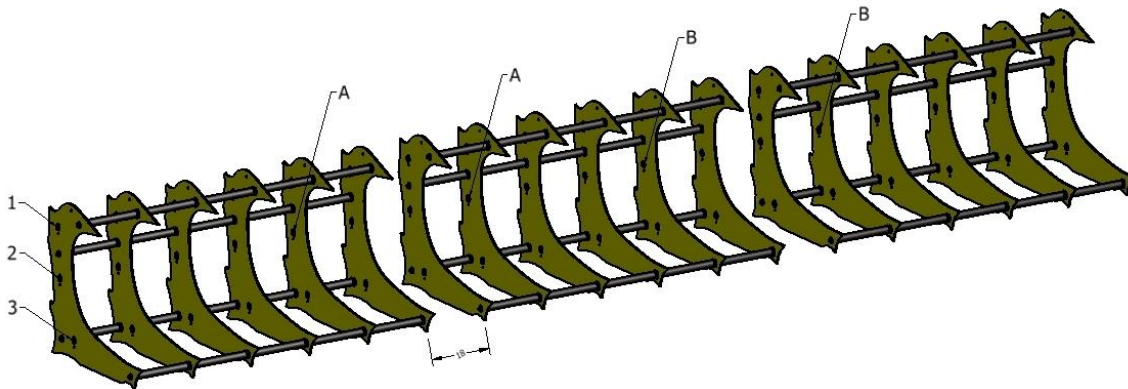


Locate the Raptor Barrier as needed. The Raptor Barrier does not require any “staking” or fastening to the ground. It functions as a free-standing barrier.

Optional Chain Kit

When multiple Raptor Barriers are used, it is suggested that they be chained together with a distance of about 18" between barriers. The units may be chained using the Raptor Chain Kit. The chain kit consists of three chains and six hardware sets (bolts, washers, and nuts) to fasten the chain ends to the Raptor plates.

The following description shows three Raptor Barriers being chained 18" apart using the RPCCK144 Raptor Chain Kit.



The above image shows hole locations 1, 2, and 3 with a large hole and a smaller hole. The large hole accommodates the chains. The smaller holes may be used to bolt the chain to the plate. The holes should accommodate up to 1/2" hardware or quick links (7/16 hardware is supplied in the Raptor Chain Kit). The following photo shows two chains bolted to a plate.



In the figure at the top of the page, there are three Raptor Barriers chained together. Three chains will be used at each junction passing thru the three hole sets (1, 2, and 3). For each of the hole sets run one chain from A on one unit to the A on the second unit. On the second unit run three more chains from B to B on the third unit and bolt to the plates.

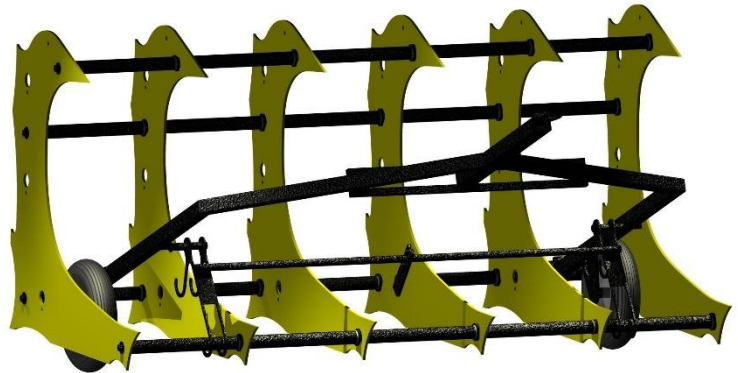
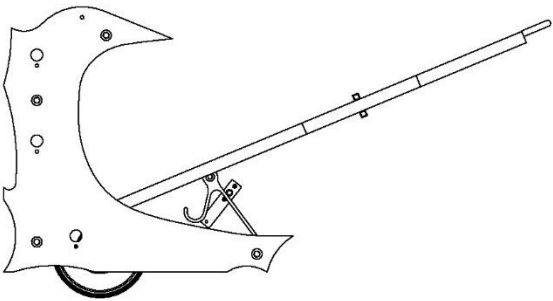
PROPRIETARY DATA THIS DOCUMENT AND THE INFORMATION DISCLOSED HEREIN ARE THE PROPERTY OF CREATIVE BUILDING PRODUCTS. NO PART OF THIS DOCUMENT IS TO BE REPRODUCED WITHOUT THE WRITTEN PERMISSION OF CREATIVE BUILDING PRODUCTS. NO INFORMATION DISCLOSED HEREIN IS TO BE TRANSMITTED TO ANOTHER OR USED FOR ANY PURPOSE OTHER THAN THAT FOR WHICH THIS DOCUMENT IS PROVIDED.

Optional Wheel Kit

The Optional Wheel Kit will allow you to move a Raptor by hand or by being towed behind a vehicle. If it is being towed behind a vehicle, it should not be towed at speeds greater than 10 mph.

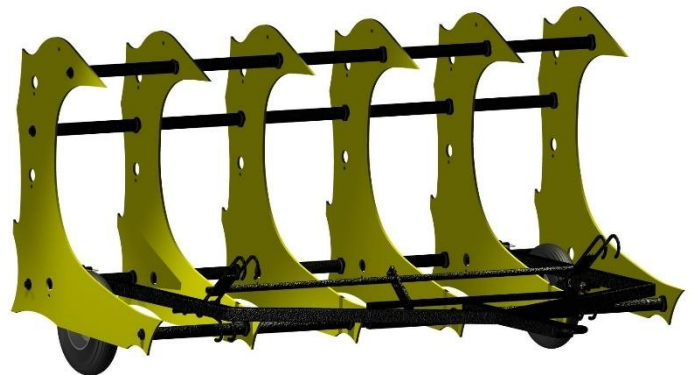
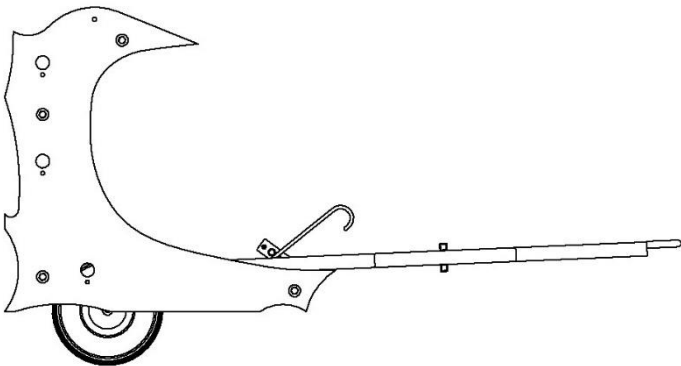
- **Hand pull mode:**

The 2 cad images below show the Optional Wheel Kit attached to the Raptor in the Hand pull mode. To put into this position, slip the rear channels on the Wheel Kit under the rear Spacer Tubes, add pins to lock it onto tube and then pull down on the tongue end of wheel kit so the long hooks are attached to the front Spacer Tubes. A rope attached to the hook bar, will allow you to rotate the bar and hook it onto the spacer tubes while you are pushing down on the tongue end of wheel kit.



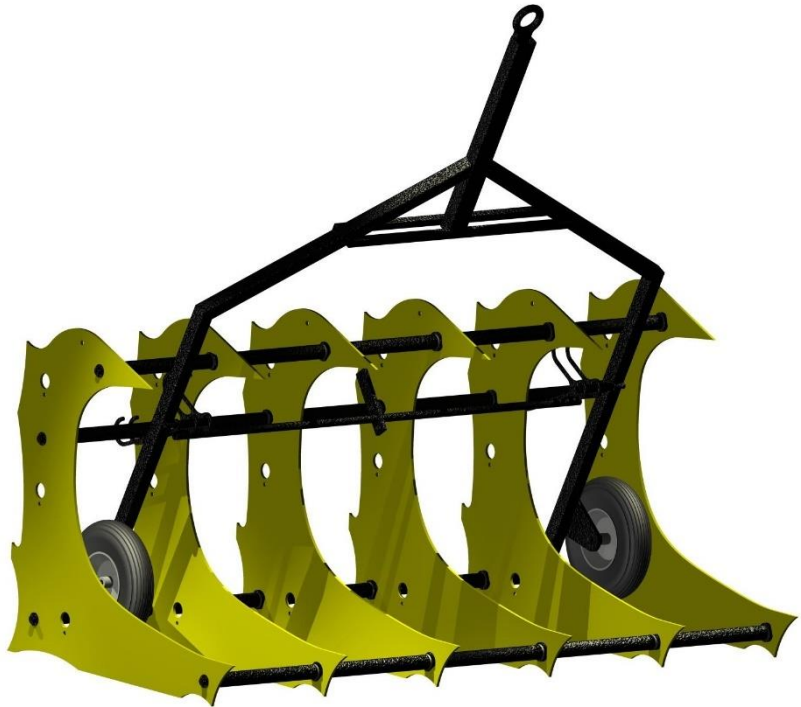
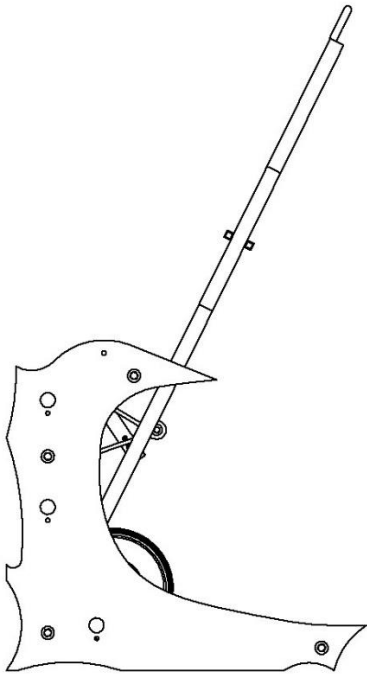
- **Vehicle Tow mode:**

The 2 cad images below show the Optional Wheel Kit attached to the Raptor in the Vehicle tow mode. To put into this position, slip the rear channels on the Wheel Kit under the rear Spacer Tubes, add pins to lock it onto tube and then pull down on the tongue end of wheel kit so the short hooks are attached to the front Spacer Tubes. A rope attached to the hook bar, will allow you to rotate the bar and hook it onto the spacer tubes while you are pushing down on the tongue end of wheel kit.



- Vehicle Tow mode:

The 2 cad images below show the Optional Wheel Kit attached to the Raptor in the Vehicle stow mode. To put into this position, slip the rear channels on the Wheel Kit under the rear Spacer Tubes, add pins to lock it onto tube and then lift on the tongue end of wheel kit so the long hooks are attached to the upper rear Spacer Tubes.



Optional Reflective Tape Kit

Reflective Tape may be added to the spacer tubes to give greater visibility to the Raptor Barrier. All spacers or just the top row may be covered. Reflective tape may be ordered from Perimeter Security Products or it may be purchased from another vendor and installed making the spacers look something like the following:



Additional Comments

Congratulations on the completion of the assembly of your Raptor Barrier. Your troops, equipment, or supplies are now able to be better protected. Through this installation manual we have provided a more or less step by step method to complete the assembly. Understanding these steps is very important for the quickest and most functional implementation.

If you have specific questions regarding the installation of the Raptor Barrier, you may contact Creative Building Products at the following:

SPIRIT OF AMERICA CORPORATION

Trade Name – Perimeter Security Products

260-432-7158 Phone 260-459-0929 Fax 800-860-2855 Toll-free

www.perimetersecurityproducts.com

Replacement and Accessory Parts

Perimeter Security Products carries several replacement and extra parts for the Slide Arm Barrier as listed below:

CBP19D001	Raptor Plate
CBP19D006	Raptor Spacer Tube Wrench
CBP19W002	18" Spacer Tube Weldment
RPCCK144	Raptor Chain Kit