

THIS PRINT SUPERCEDES ANY
PRINT PRIOR TO BELOW DATE:

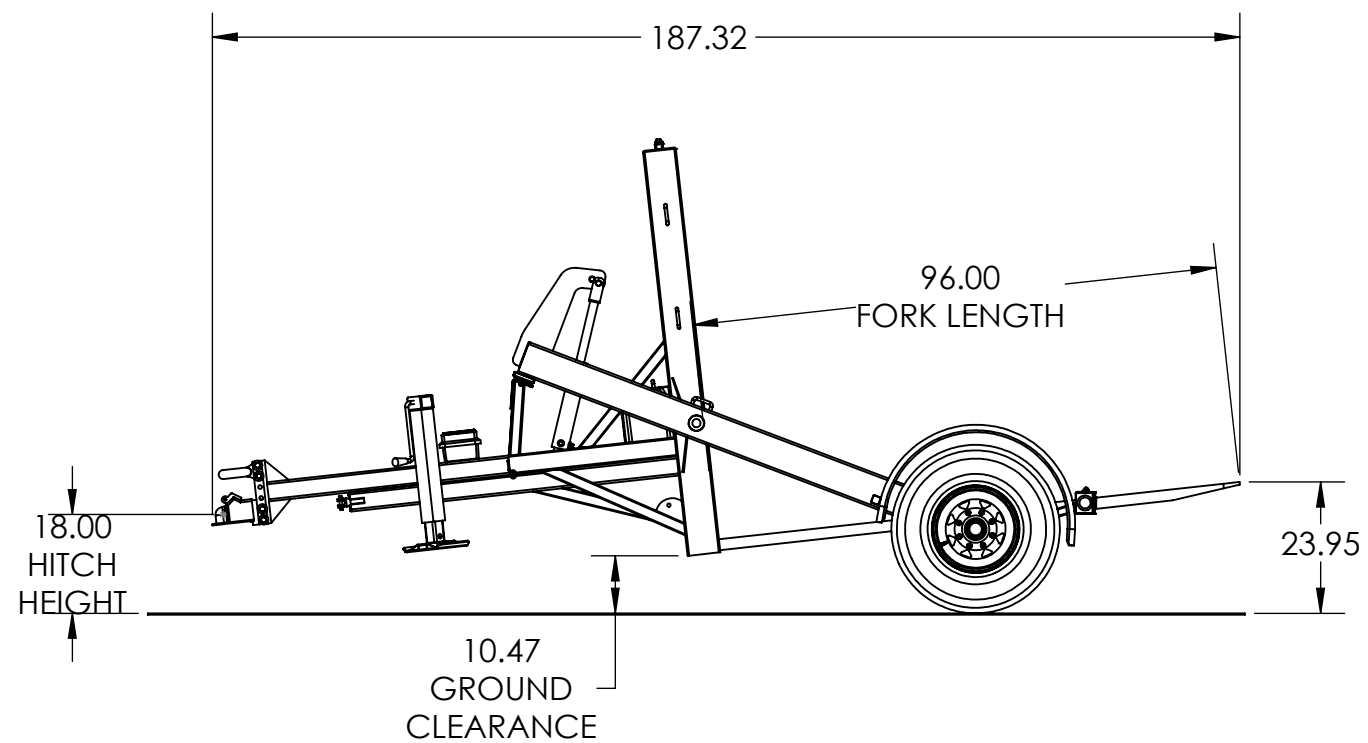
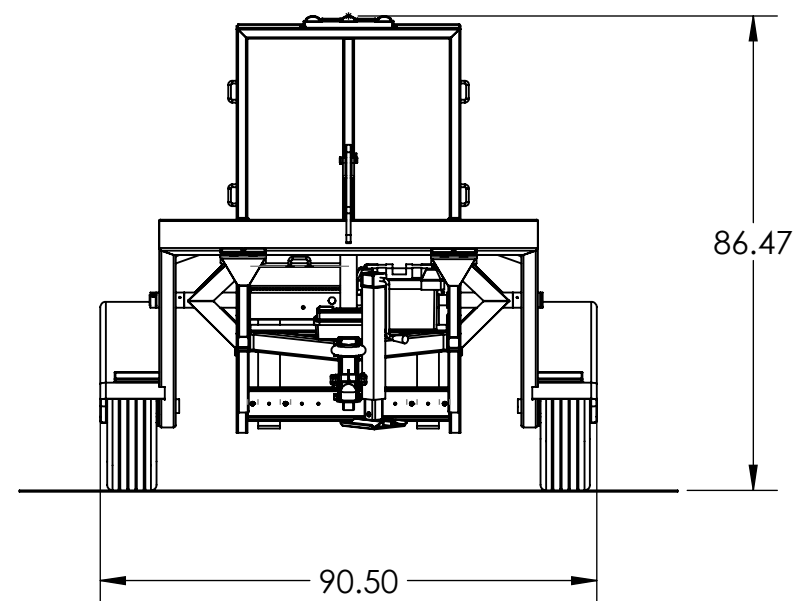
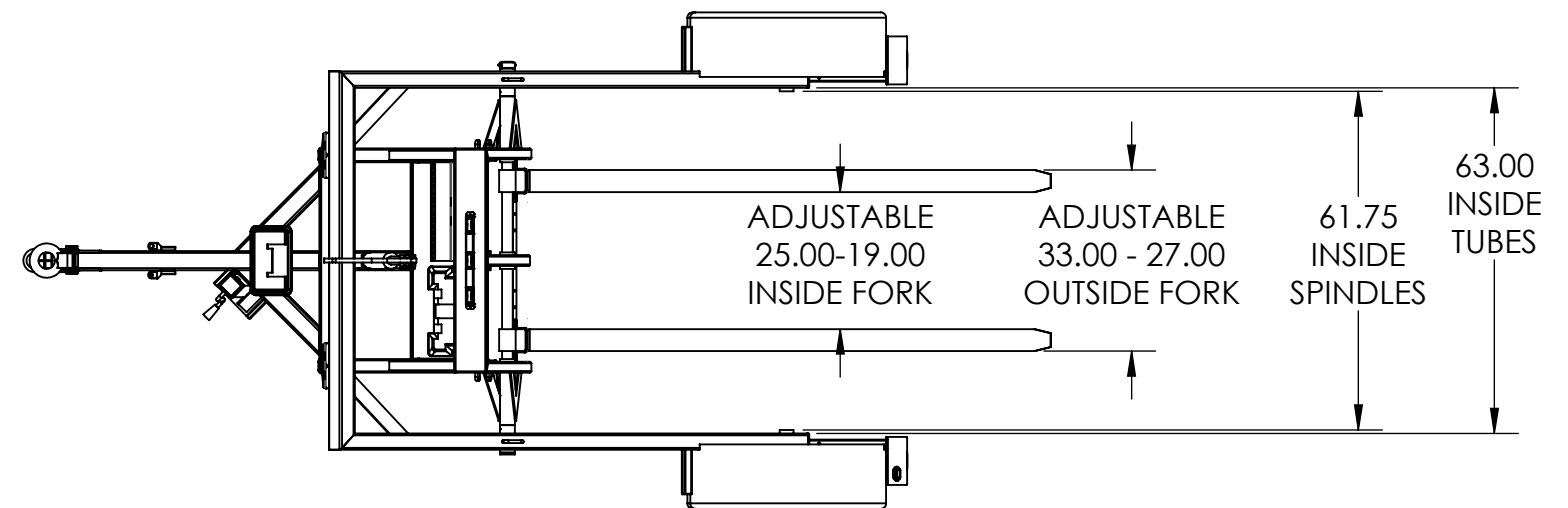
5/31/2023

PART NO.

PPC45LR

PPC45LR

WEIGHT LOAD : 4,500 LBS.
FORK LENGTH : 8 FEET



DRAWN BY: R.KNUT	DRAWN DATE: 5/31/2023	CHECKED BY: TH	CHECKED DATE: 5/31/2023
MATERIAL: N/A		FINISH: N/A	
DESCRIPTION: ADJUSTABLE FORK 4500 LBS. (8' LONG FORKS)			
SPIRIT OF AMERICA CORP.			PART NO: PPC45LR

A B C D E F G H

THIS PRINT SUPERCEDES ANY
PRINT PRIOR TO BELOW DATE:

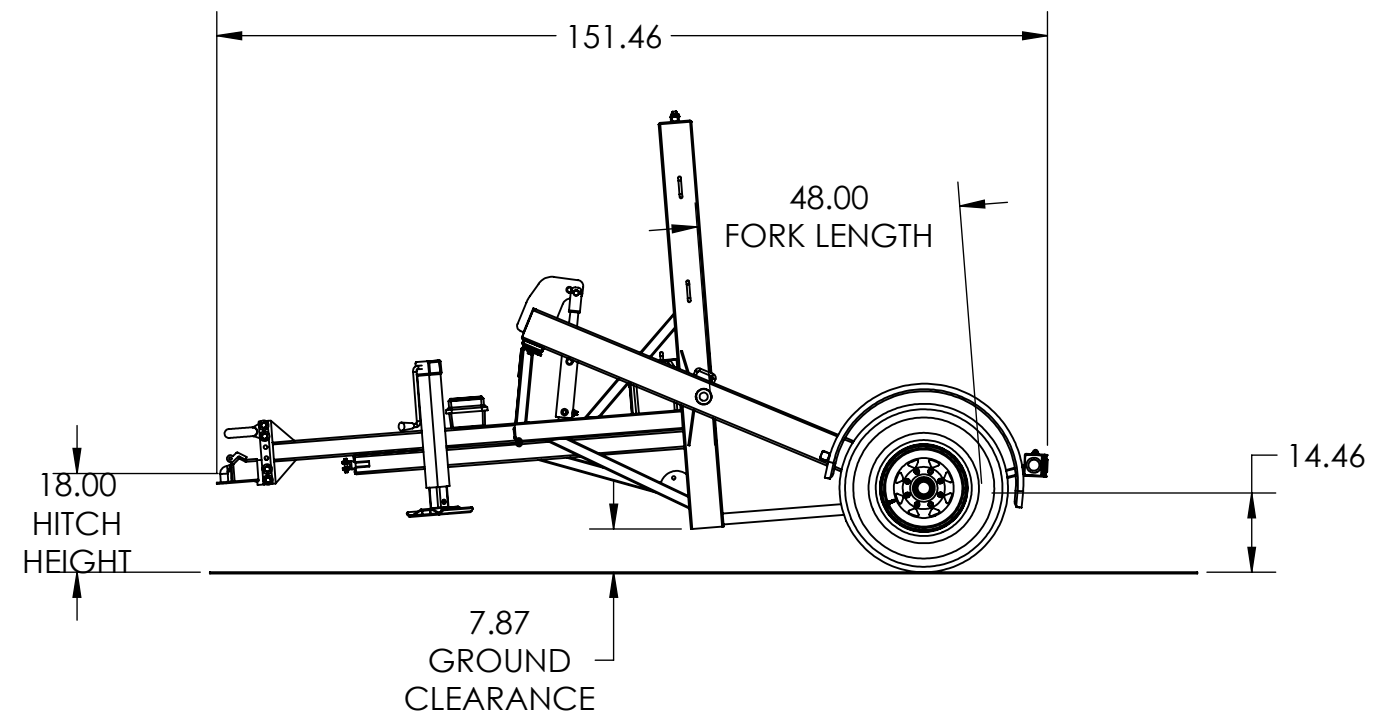
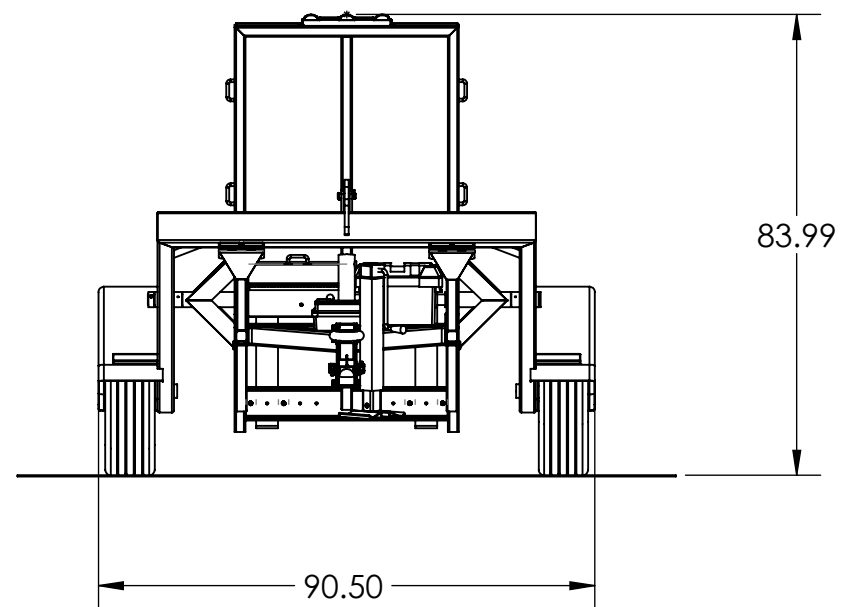
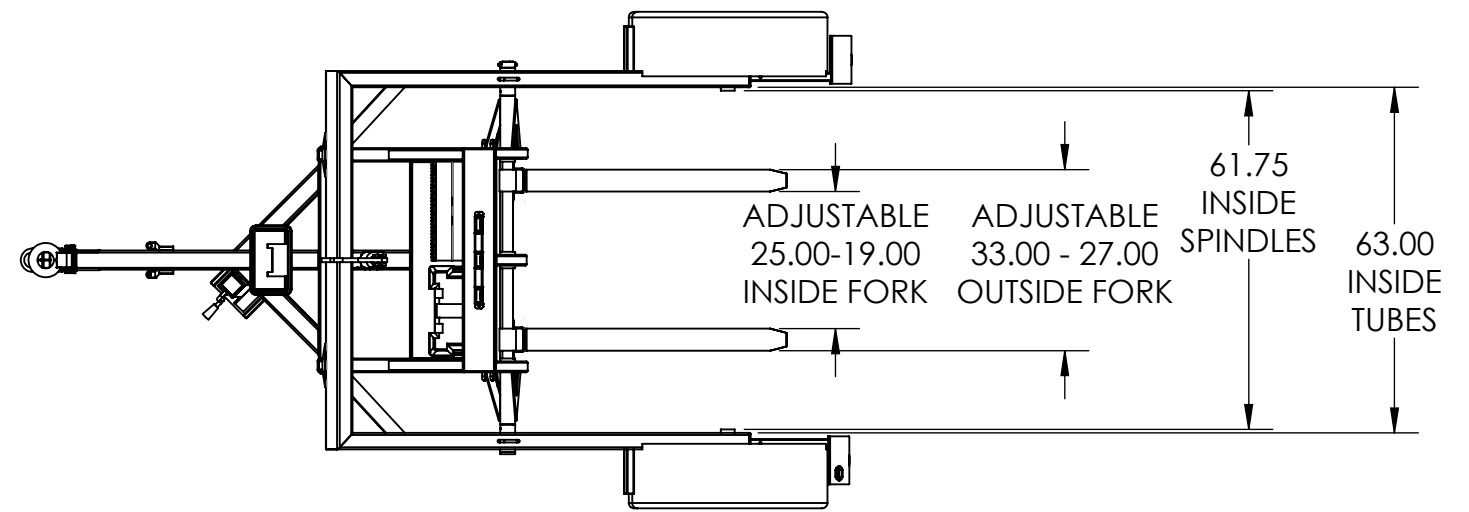
6/6/2023

PART NO.

PPC45RR

PPC45RR

WEIGHT LOAD : 4,500 LBS.
FORK LENGTH : 4 FEET



DRAWN BY: R.KNUT	DRAWN DATE: 6/6/2023	CHECKED BY: TH	CHECKED DATE: 6/6/2023
MATERIAL: N/A		FINISH: N/A	
DESCRIPTION: ADJUSTABLE FORK 4500 LBS. (4' LONG FORKS)			
SPIRIT OF AMERICA CORP.			PART NO: PPC45RR

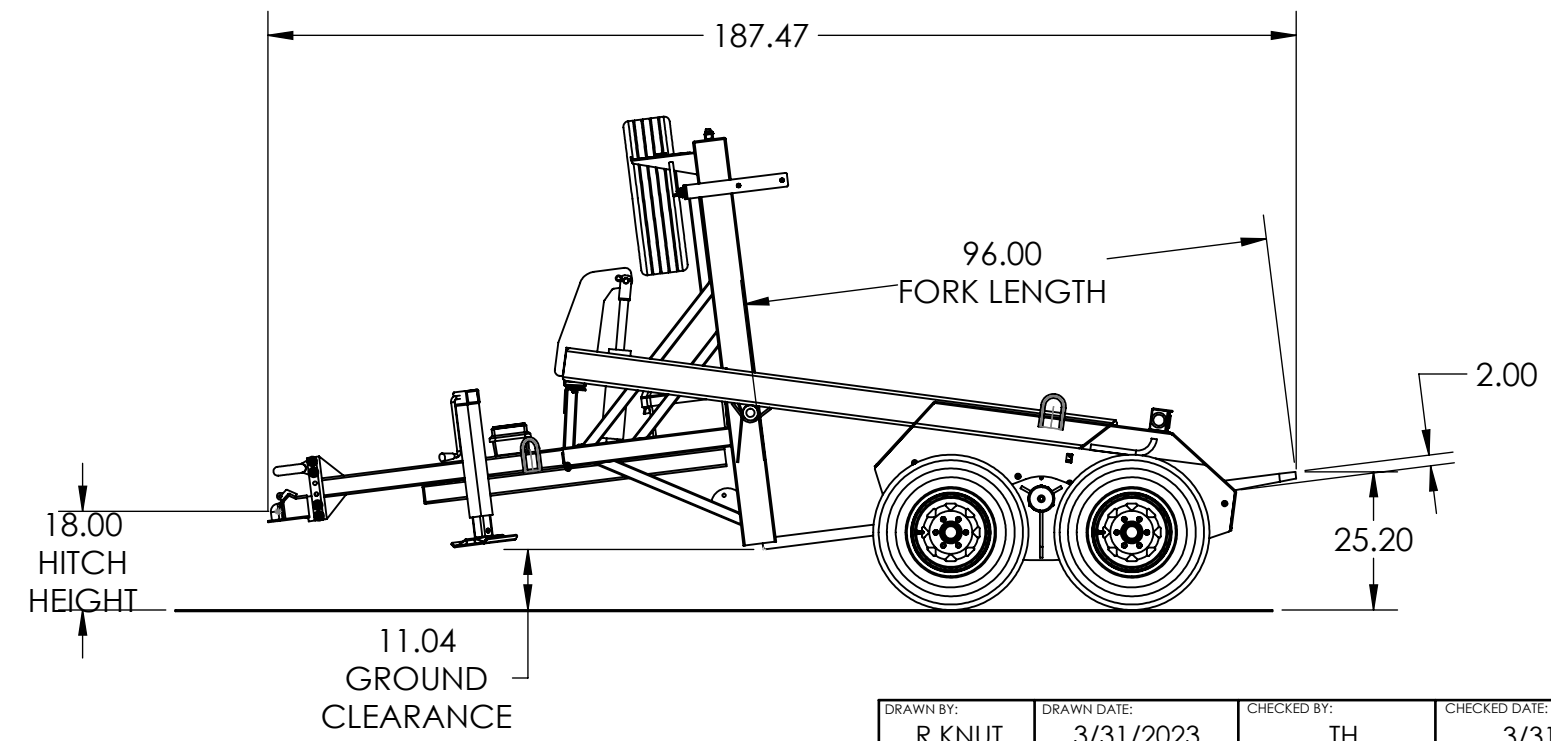
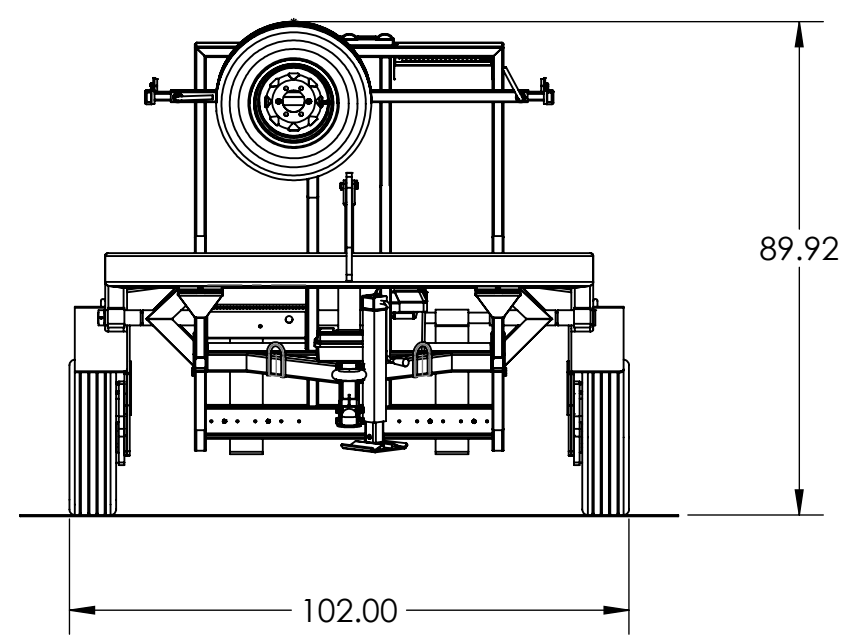
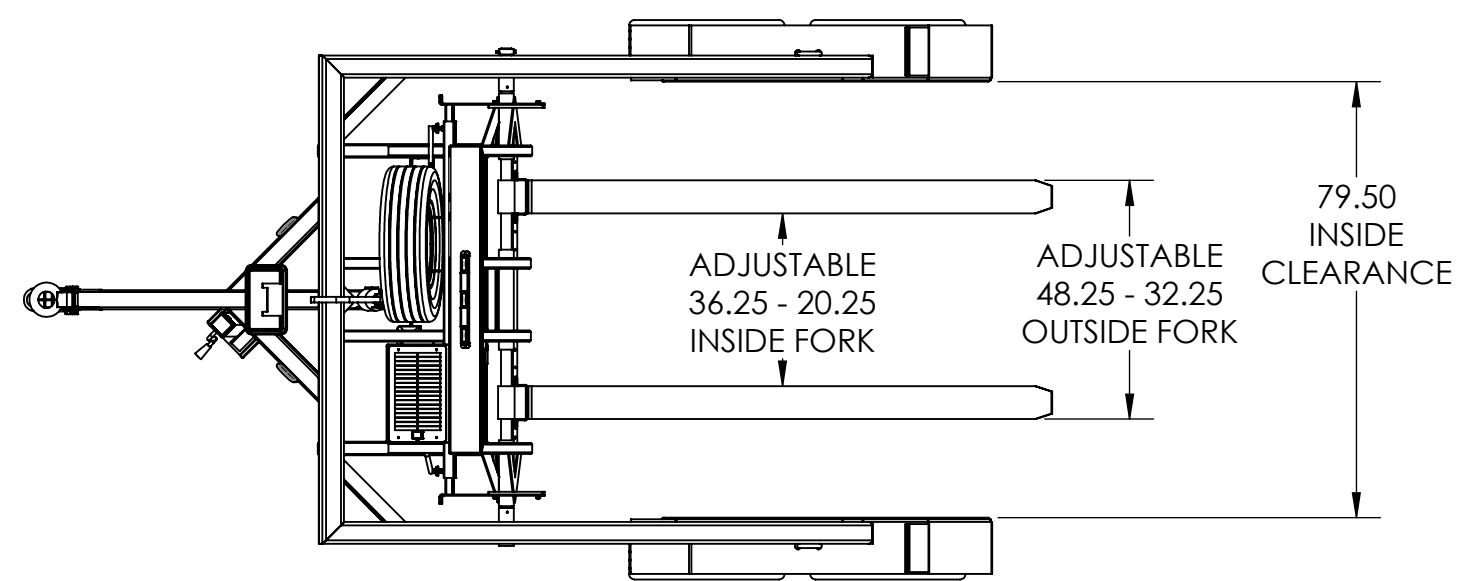
A B C D E F G H

THIS PRINT SUPERCEDES ANY
PRINT PRIOR TO BELOW DATE:
3/31/2023

PART NO.
PPC 75LHT

PPC 75LHT

WEIGHT LOAD : 7,500 LBS.
FORK LENGTH : 8 FEET



DRAWN BY: R.KNUT	DRAWN DATE: 3/31/2023	CHECKED BY: TH	CHECKED DATE: 3/31/2023
MATERIAL: N/A		FINISH: N/A	
DESCRIPTION: ADJUSTABLE FORK PALLET TRAILER PPC 75LHT (8' FORK LENGTH)			
SPIRIT OF AMERICA CORP.			PART NO: PPC 75LHT

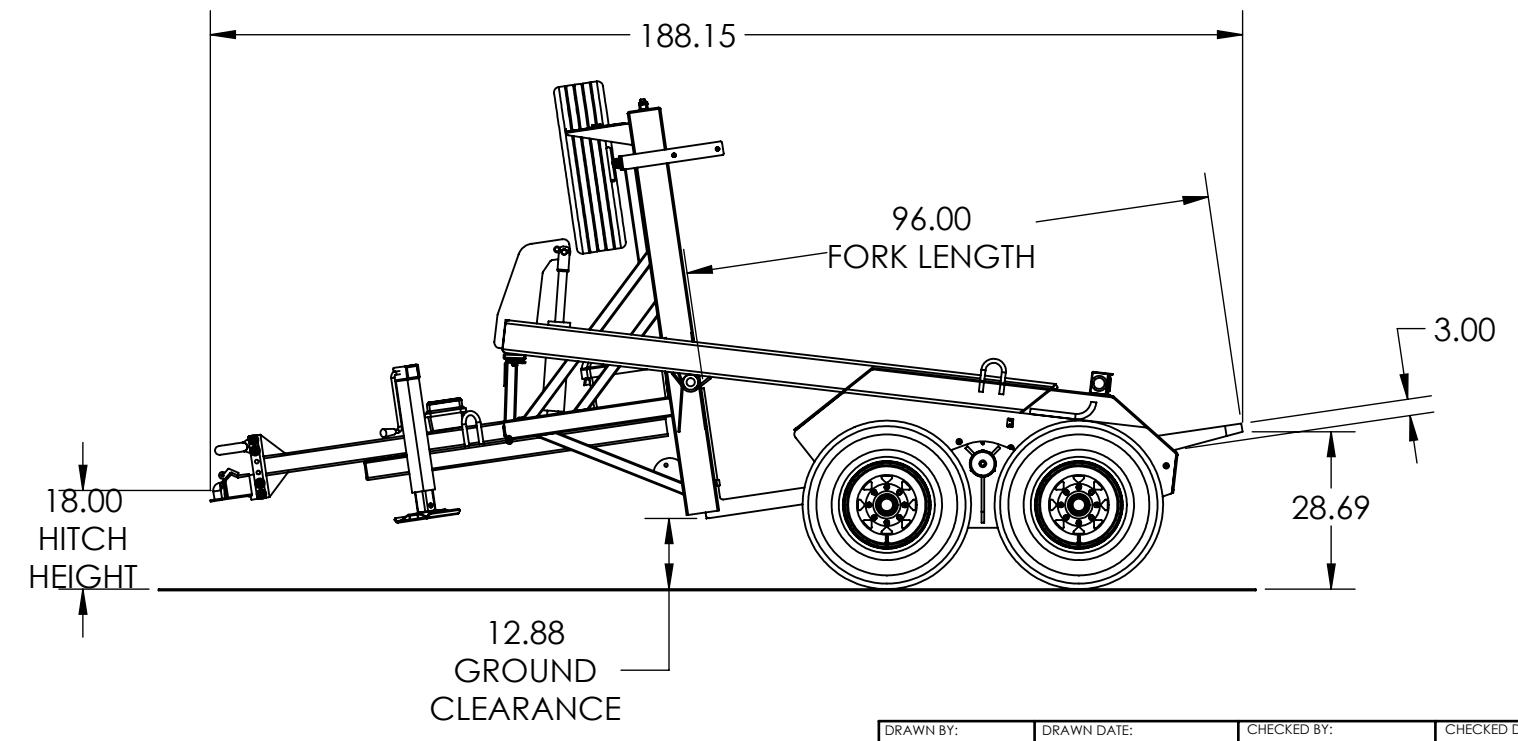
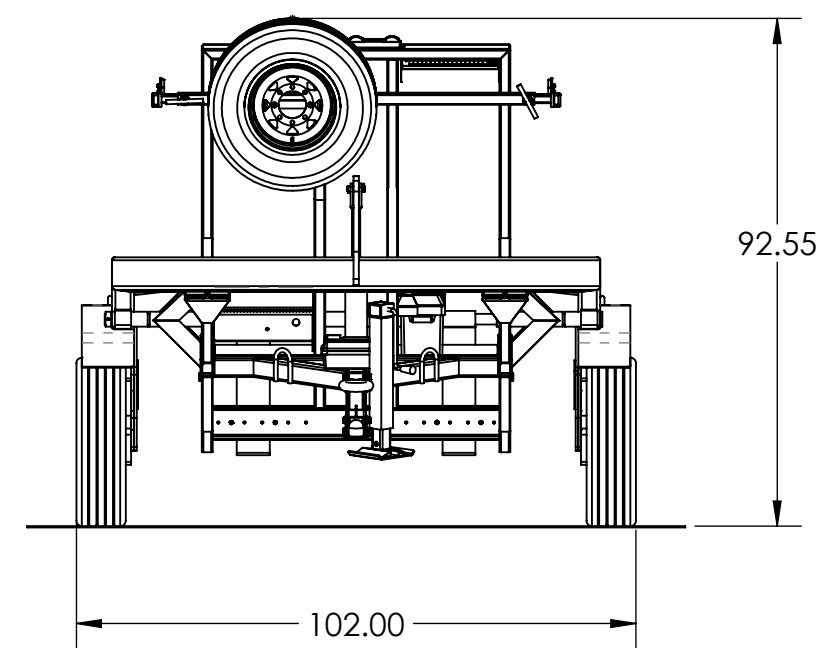
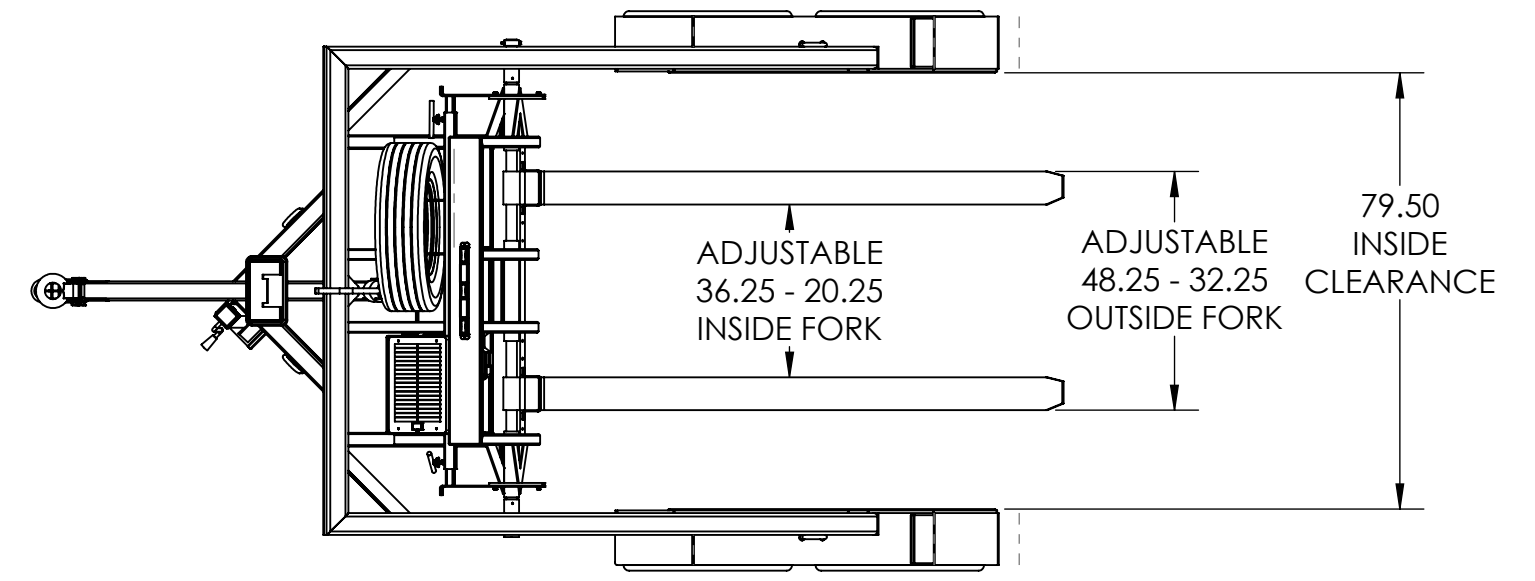
A B C D E F G H

THIS PRINT SUPERCEDES ANY
PRINT PRIOR TO BELOW DATE:
6/2/2023

PART NO.
PPC 95LHT

PPC 95LHT

WEIGHT LOAD : 9,500 LBS.
FORK LENGTH : 8 FEET



DRAWN BY: R.KNUT	DRAWN DATE: 6/2/2023	CHECKED BY: R.KNUT	CHECKED DATE: 6/2/2023
MATERIAL: N/A		FINISH: N/A	
DESCRIPTION: ADJUSTABLE FORK PALLET TRAILER PPC 95LHT (8' FORK LENGTH)			
SPIRIT OF AMERICA CORP.			PART NO: PPC 95LHT

A B C D E F G H