

THIS PRINT SUPERCEDES ANY
PRINT PRIOR TO BELOW DATE:

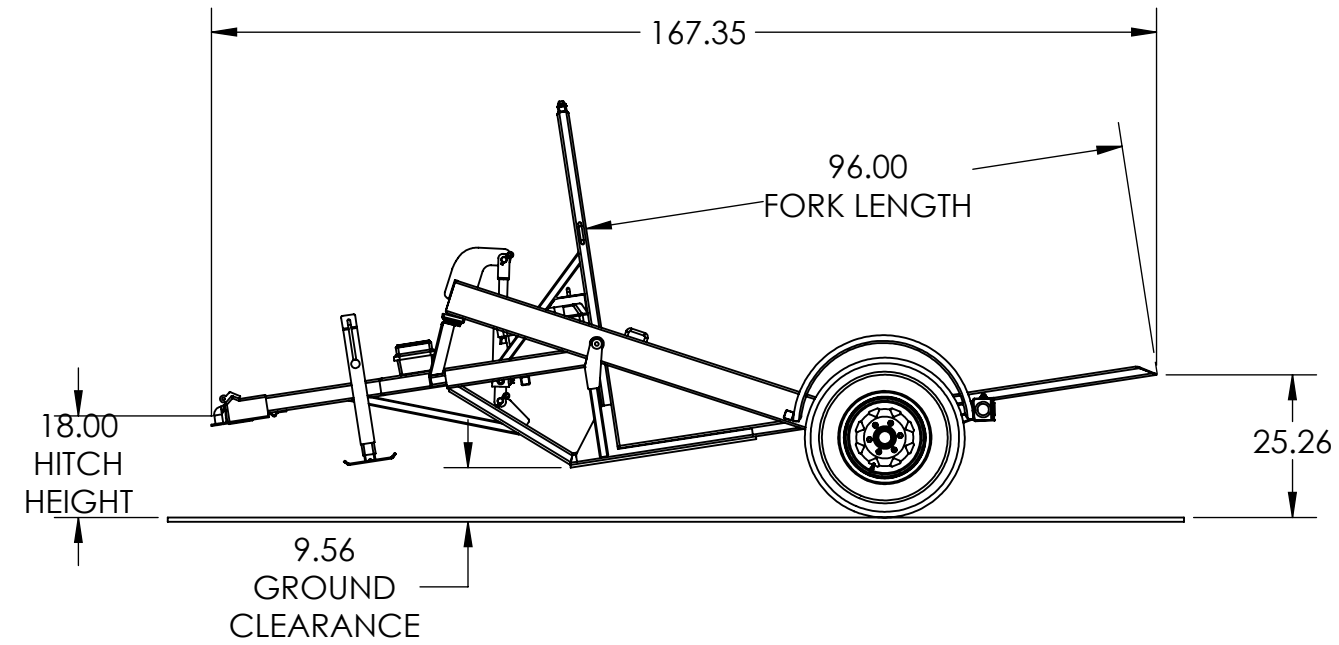
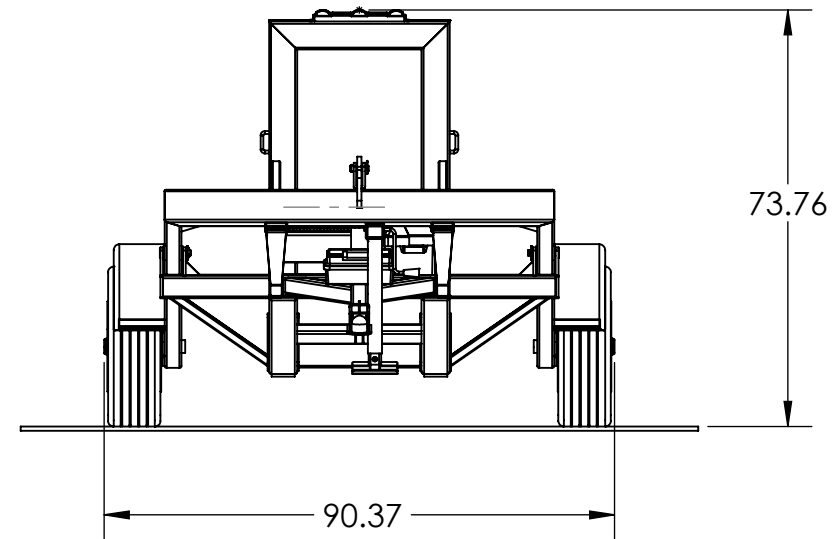
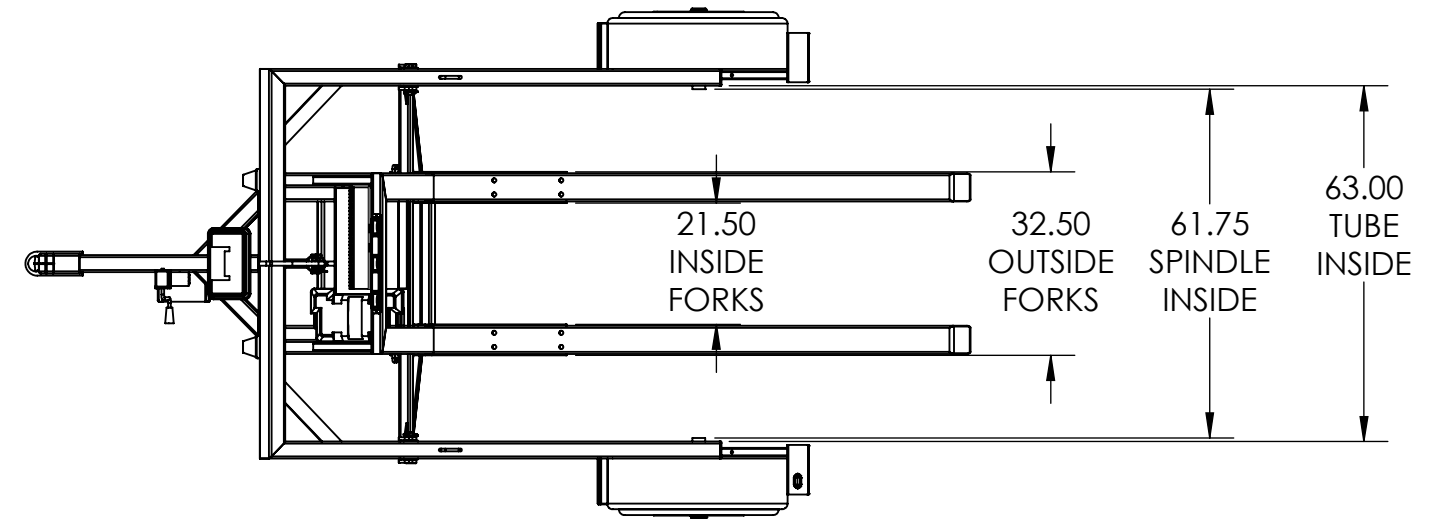
5/31/2023

PART NO.

ANT40LM

ANT40LM

WEIGHT LOAD : 4000 LBS.
FORK LENGTH: 8 FEET



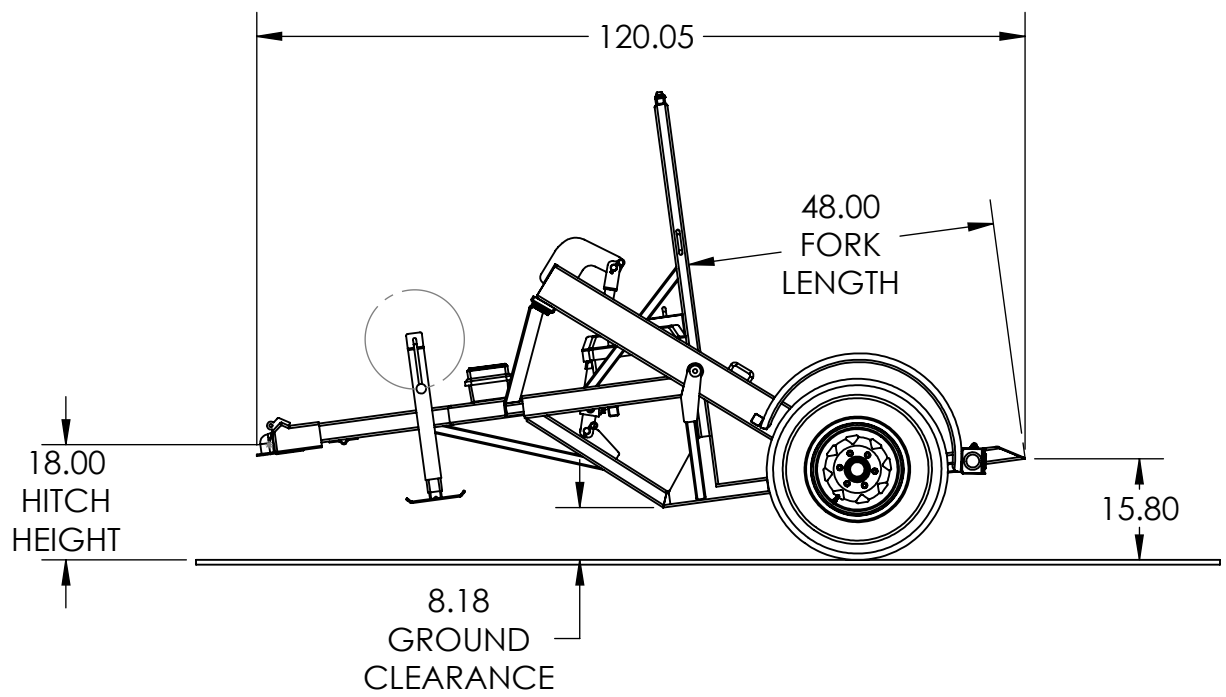
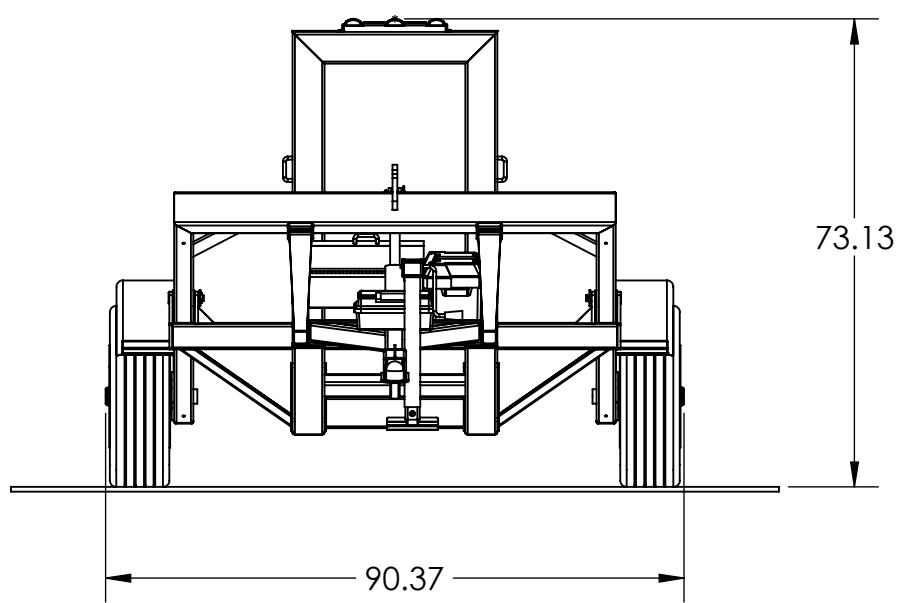
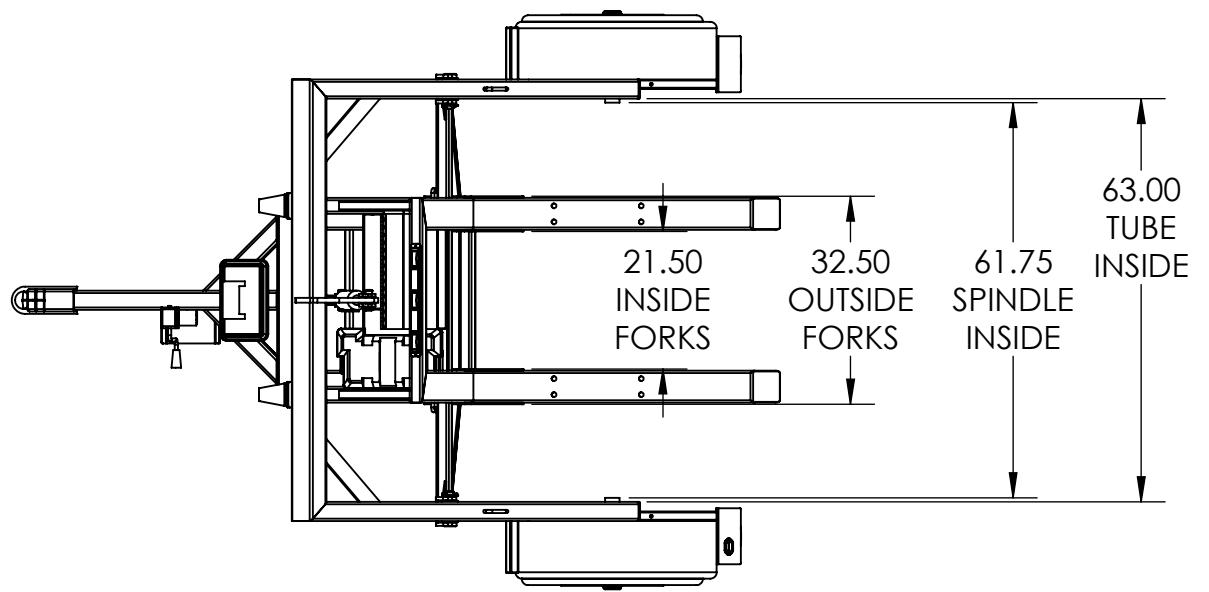
DRAWN BY: R.KNUT	DRAWN DATE: 5/31/2023	CHECKED BY: TH	CHECKED DATE: 5/31/2023
MATERIAL: N/A		FINISH: N/A	
DESCRIPTION: FIXED FORK ANT40LM (8' LONG FORK)			
SPIRIT OF AMERICA CORP.			PART NO: ANT40LM

A B C D E F G H

THIS PRINT SUPERCEDES ANY
PRINT PRIOR TO BELOW DATE:
5/31/2023

PART NO.
ANT40RM

ANT40RM
WEIGHT LOAD : 4000 LBS.
FORK LENGTH : 4 FEET



DRAWN BY: R.KNUT	DRAWN DATE: 5/31/2023	CHECKED BY: TH	CHECKED DATE: 5/31/2023
MATERIAL: N/A		FINISH: N/A	
DESCRIPTION: FIXED FORK ANT40RM (4' FORK LENGTH)			
SPIRIT OF AMERICA CORP.			PART NO.: ANT40RM

A B C D E F G H