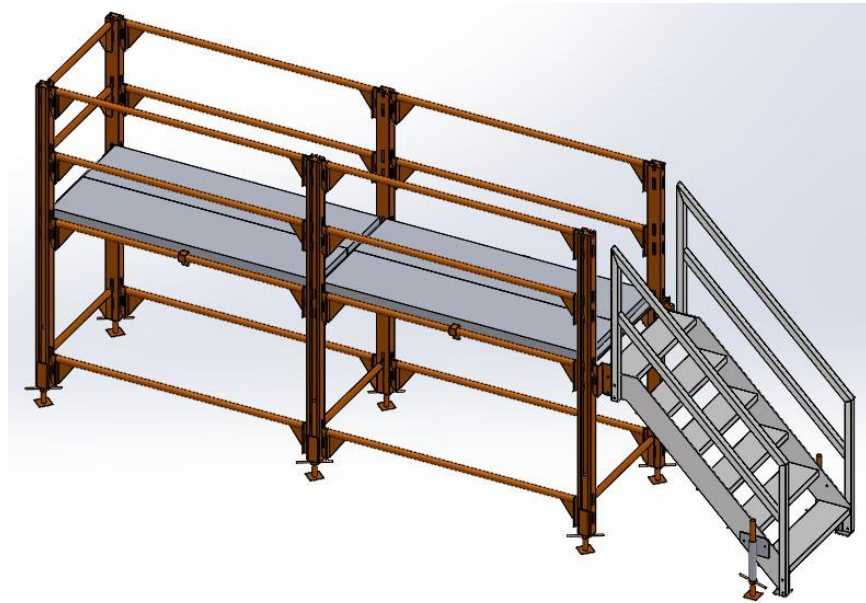




# Vehicle Inspection Station Assembly Information

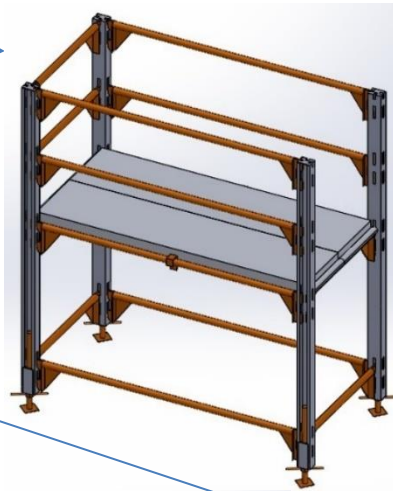


The Vehicle Inspection Station is comprised of a Starter Kit, Extension Kit and Stair Kit. The attached image shows 1 – Starter Kit, 1 – Extension Kit and 1 – Stairs. This gives a platform that is 14 ft long. You can create a longer platform by adding Extension Kits. Each Extension Kit will add another 7 ft. One Stair Kit can be used as illustrated or you can add another one on the other end. Before beginning assembly, verify that you have all the components.

Listed below are the components and quantities for each Kit:

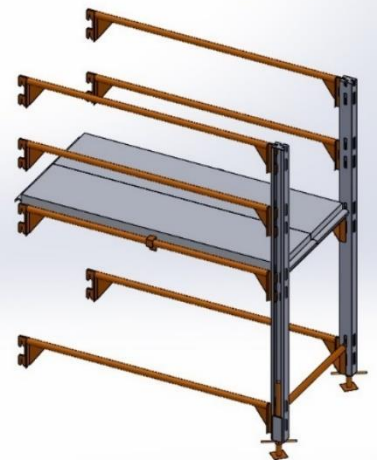
### 1. Starter Kit

- 1. Vertical Posts (4)
- 2. Long Horizontal Rails (8)
- 3. Short Horizontal Rails (6)
- 4. Support Tube (1)
- 5. Leveler Legs (4)
- 6. Deck Planks (2)



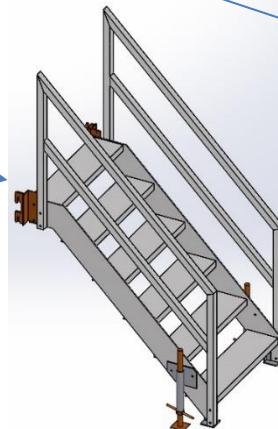
### 2. Extension Kit

- 1. Vertical Posts (4)
- 2. Long Horizontal Rails (8)
- 3. Short Horizontal Rails (2)
- 4. Support Tube (1)
- 5. Leveler Legs (4)
- 6. Deck Planks (2)



### 3. Stair Kit

- 5. Leveler Legs (2)
- 7. Stair Weldment (1)
- 8. Stair Hand Rails (2)



# Assembly Instructions:

- Assemble the Starter Kit as shown in image to right.
- If you are using one or more Extension Kits, assemble them now to the Starter Kit now. If you aren't skip this step.
- Place Deck Plants onto the Starter Kit and Extension Kits.
- Assemble and attach stairs to end of Inspection Station. Note, you can attach a stair set to each end if you purchased the extra stairs. (see detail below)
- Attach the Long and Short Horizontal Rails to the top part of the Inspection Station as shown in detail below.

